

LASER GUIDED VEHICLE (LGV)

ocme
Moving Ideas

AURIGA 14RT-H

DESCRIPTION

Auriga 14RT-H is our industrial-type and fully automated reach truck, with OCME's technology solutions for navigation, handling and safety aspects. Auriga 14RT-H vehicle is used to work at significant heights and in reduced space.

AURIGA 14RT-H
ARE DESIGNED
TO TRANSPORT:

ANY TYPE
OF PRODUCT



LOAD HANDLING BETWEEN SHELVING
PLACED AT A DISTANCE OF 3300 mm



POSSIBILITY TO WORK
AT A HEIGHT OF 8.500 mm



HIGH LOAD CAPACITY IN HEIGHT



LASER GUIDED VEHICLE (LGV)

OPTIONALS

BATTERY CHANGE

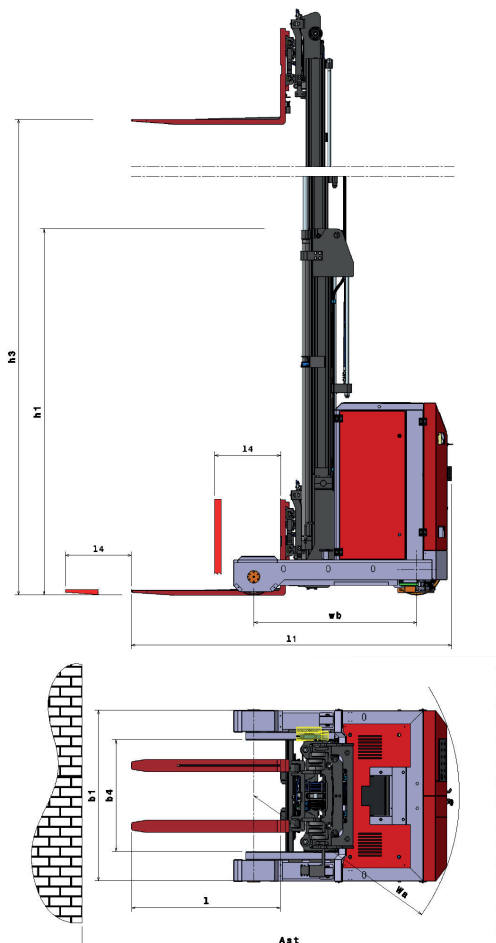


- **AUTOMATIC**
- **MANUAL**
- **BY OPPORTUNITY:** battery recharge station

TYPES OF BATTERY



- **WATERLESS BATTERIES:** open lead acid, reduced maintenance
- **NEXSYS BATTERIES:** pure lead, no gas emission during the charge
- **LITHIUM BATTERIES:** no maintenance required and no gas emission during the charge



FEATURES OF THE MACHINE

SPECIFICATIONS	AURIGA 14RT-H	
Max unit Load Weight (kg)		1400
LGV Height* (mm)	H1	2700
Lifting height* (mm)	H3	MAX 8500
Forks Length (mm)	L	1200
LGV Length (mm)	L1	2540
Mast maximum range (mm)	L4	400
LGV Width (mm)	B1	1370
Wheel base (mm)	WB	1313
Front curvature radius (mm)	WA	1700
Max. speed (mm/s)		1700
Max speed Fork Lift (mm/s)		200
LGV weight with battery (Kg)		3665
Battery: Voltage, Capacity		48 V / 620 A/h
Battery weight* (Kg)		1080

*Customizable